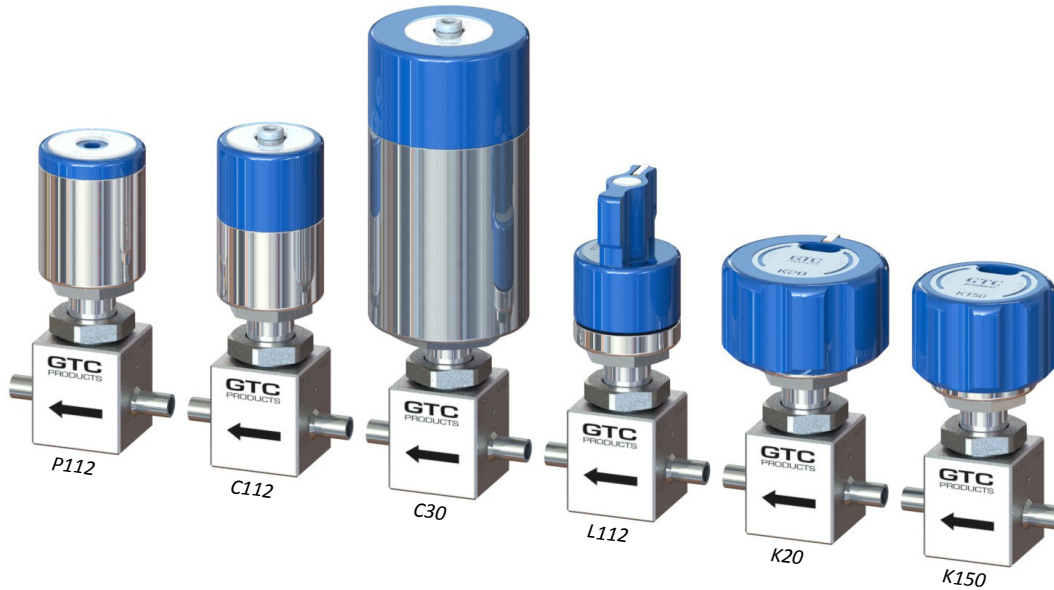


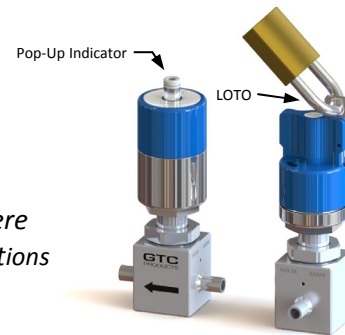
UHP DV2 Diaphragm Valves

“Standard” Series



GTC Features

- Springless Metal Diaphragm Design
- Serviceable, Modular Valves with Replaceable Seats
- Manual Actuators with Metal Handles and Positive Stops
- Pop-Up Status Indicators on C112 and C30 actuators
- LOTO - Lock Out Tag Out feature on L112 and K20 actuators
- Replaceable Actuators without exposing wetted areas to atmosphere
- Low Cost Multi-port Configurations; 15 standard porting configurations



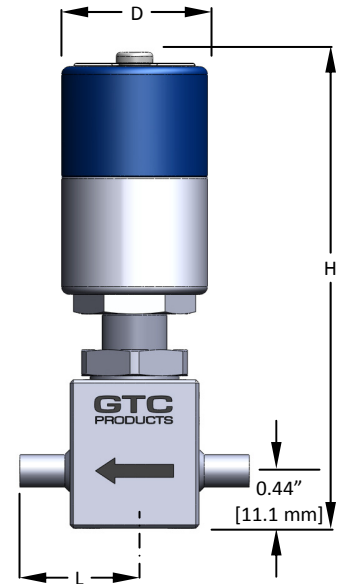
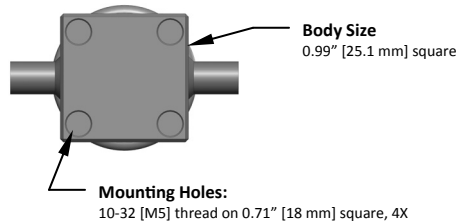
Technical Data

Specification	P112	C112	C30	L112	K20	K150
Actuation Type	Pneumatic N.O.	Pneumatic N.C.	Pneumatic N.C.	Manual 1/4 Turn LOTO	Manual 1/4 Turn LOTO	Manual 1/4 Turn
Actuation Port	10-32	1/8" OD Tube	1/8" OD Tube	n/a	n/a	n/a
Actuation Pressure	70 to 120 psig	70 to 120 psig	70 to 120 psig	n/a	n/a	n/a
Operating Pressure	Vac to 150 psig	Vac to 250 psig	Vac to 3300 psig	Vac to 3000 psig	Vac to 3400 psig	Vac to 3000 psig
Proof / Burst Pressure	4500 / 9000 psig					
Flow Coefficient Cv	0.23					
Internal Volume	0.9 cc					
Operating Temperature	-20° to 150° F (Vespel seat option: -20° to 300° F)					
Helium Leak Rate	1 x 10 ⁻⁹ scc/s He					
Wetted Surface Roughness	< 10 Ra Average					
Wetted Surface Chemistry	Cr/Fe ≥ 2.0, CrO/FeO ≥ 3.0					
Wetted Surface Body Mat'l	316L VAR Stainless Steel					
Wetted Surface Other	Diaphragm: Elgiloy™, Seat: PCTFE (optional Vespel™)					



Dimensions

Specification	P112	C112	C30	L112	K20	K150
Overall Height (H)	3.23" [82 mm]	3.64" [92 mm]	5.04" [128 mm]	3.60" [91 mm]	3.00" [76 mm]	3.00" [76 mm]
Actuator Diameter (D)	1.12" [28 mm]	1.12" [28 mm]	1.69" [43 mm]	1.12" [28 mm]	1.75" [44 mm]	1.50" [38 mm]
Tube Stub Length (L)	0.880" [22.3 mm]					
Welded Face Seal Length (L)	1.39" [35 mm]					
Fixed Male Face Seal (L)	1.15" [29 mm]					



Ordering Information: C112-DV2-2A-TXTX-VS

Actuator

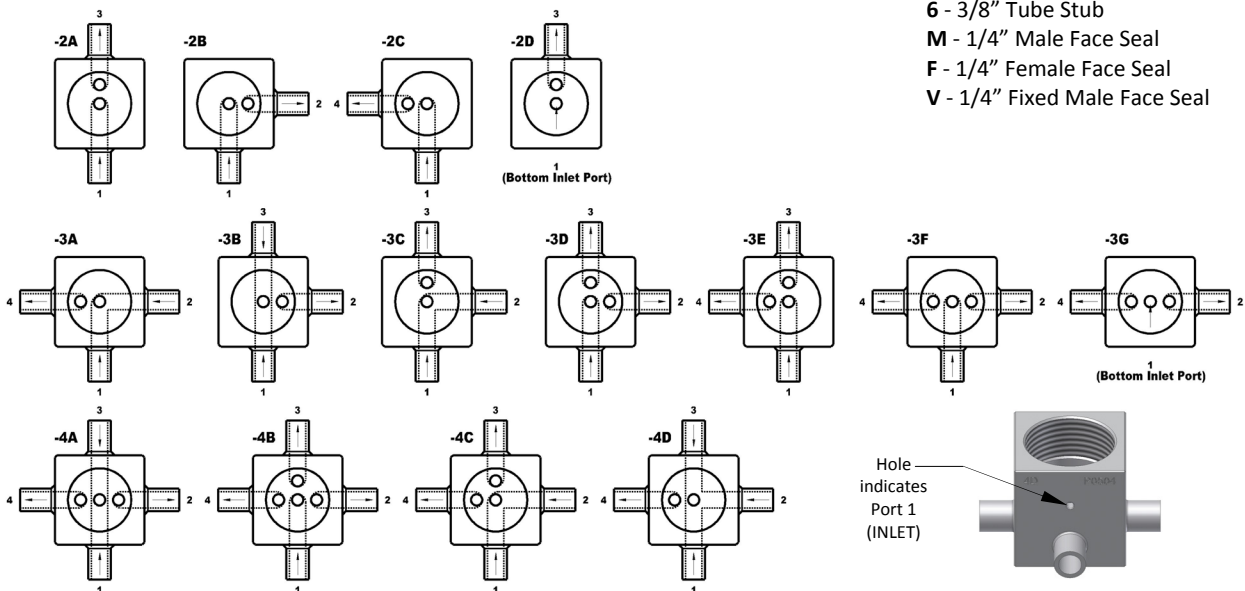
- P112** - Low Pressure, Pneumatic N.O.
- C112** - Low Pressure, Pneumatic N.C.
- C30** - High Pressure, Pneumatic N.C.
- L112** - High Pressure, Manual 1/4 Turn, LOTO
- K20** - High Pressure, Manual 1/4 Turn, LOTO
- K150** - High Pressure, Manual 1/4 Turn

Body Series

- DV2** - Standard

Porting

-- Internal Top View --



GTC PRODUCTS
www.gtc-products.com

TEESING